

SCHA-018

Heavy-duty proximity switch (22mm)

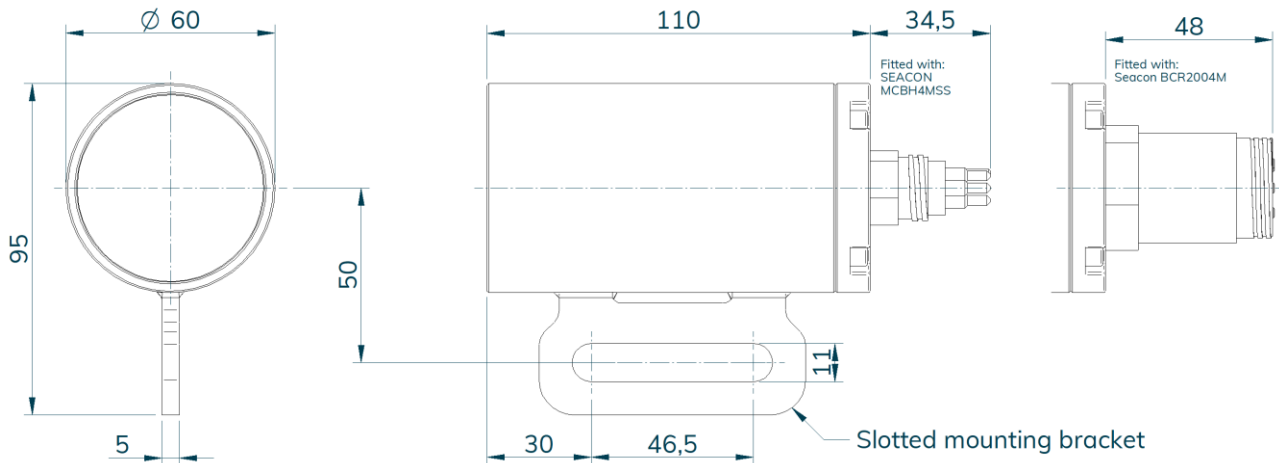


Highlights

- Heavy duty submersible inductive proximity switch.
- Designed for detection of metal based objects on offshore applications.
- Submersible down to 1.000 msw. (only with connector)
- Front side acetal with O-ring seal
- Fitted with a slotted mounting bracket.
- Equipped with PNP NO and NC output for a detection distance of 22mm on steel parts.
- Fitted with a Subsea connector (various options)

Specifications

Mechanical		Environmental	
- Housing material	AISI 316L	- Depth rate	1.000 msw with connector
- Dry weight	1,3 kg	- Operating temperature	-20...+70 °C
- Optional welding strip	Fe 510 D		
- Dimensions	See below		



Electrical	
Sensor	SWITCH-22
- Output	PNP NO and NC contact
- Supply voltage	10...55 VDC
- Switch current	400 mA max.
- No load current	< 10 mA
- Hysteresis	1...15 %
- Voltage drop	1.5 V @50 mA
- Connections	4
- Detection distance	22mm

Standard wiring (others on request)	
- Pin 1	+10...55 V Supply
- Pin 2	0 V Supply
- Pin 3	NO Contact
- Pin 4	NC Contact

Type code definition

Type code	Specification	Unit	Connection	Housing
SCHA-018	As per product info sheet	SCHA-018		
Connection	Connector type 1 – BH4M-SS		S1	
	Connector type 2 – MCBH4M-SS		S2	
	Connector type 3 – BCR2004M		S3	
	Connector type 4 – others (on request)		Sx	
Housing	With slotted mounting bracket			W
	Without slotted mounting bracket			WO
	With right-angled connector			RA
Example		SCHA-018	S1	W

Note:

Standard wiring on 4p bulkhead connector:

Pin 1= +10...+55V supply

Pin 2= 0V supply

Pin 3= NO contact

Pin 4= NC contact

If other pinlayout is required please specify at order.