

# SCHA-011

Spring mounted proximity switch (45mm)

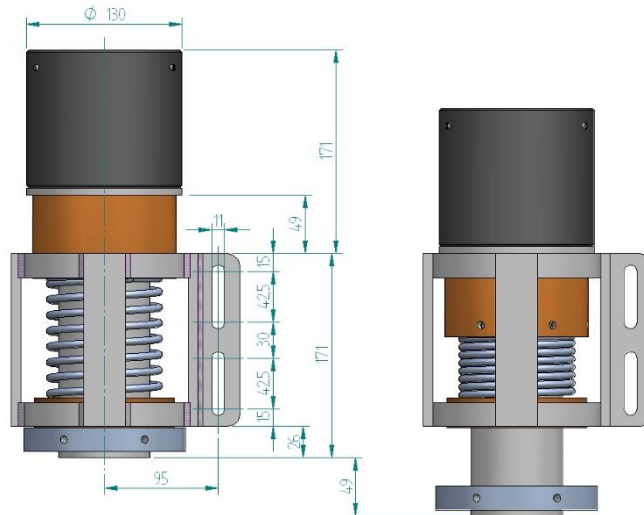


## Highlights

- Heavy duty spring mounted submersible inductive proximity switch.
- Designed for detection of metal based objects on dredging vessels and offshore constructions.
- Submersible down to 50 msw.
- PU potted in a corrosion resistant PA6 synthetic housing.
- Fitted with a slotted mounting bracket (material AISI 316L).
- Optionally available mating welding strip with fasteners.
- Equipped with PNP NO and NC output for a detection distance of 45 mm on steel parts.
- Fitted with a stainless steel cable gland.
- Provided with 10 m PUR connection cable.
- Different cable length on request.

## Specifications

Mechanical		Environmental	
- Housing material	PA6	- Depth rate	50 msw
- Optional welding strip	Fe 510 D	- Operating temperature	-20...+70 °C
- Dry weight	Approx.17 kg	- Stroke	49 mm
- Dimensions	See below		



Electrical			
<u>Sensor</u>		<u>SWITCH-45</u>	
- Detection distance <sup>1</sup>		45 mm max.	
- Output		PNP NO and NC contact	
- Supply voltage		10...55 VDC	
- Switch current		400 mA max.	
- No load current		< 10 mA	
- Hysteresis		1...15 %	
- Voltage drop		1.5 V @50 mA	
- Connections		4	
<u>Connection</u>		<u>GLAN-SC-10</u>	
- Copper conductors	4 x 1.5 mm <sup>2</sup> , screened	- Conductor 1	+10..+55 V Supply (White)
- Insulation	TPE	- Conductor 2	0 V Supply (Brown)
- Sheath	PUR	- Conductor 3	NO Contact (Yellow)
- Diameter	9.7 ± 0.5 mm	- Conductor 4	NC Contact (Green)
- Standard length	10 m	- Screen	Shielding

Note: the maximum detection distance is validated for 1mm thick steel parts St37> 150 x 150mm.

## Type code definition

Type code	Specification	Sensor	Range	Interface	Connection
<b>SCHA-011</b>	Heavy duty spring mounted submersible inductive proximity switch, IP68 < 50 m				
<b>Sensor</b>	Inductive proximity switch, Max. detection distance 45 mm PNP NO and NC contact, Electrical connections: 4	<b>SWITCH</b>	<b>45</b>	<b>PNP</b>	
<b>Connection</b>	Stainless steel cable gland, submersible cable, 4 x 1.5 mm <sup>2</sup> , screened, standard length 10 m				<b>GLAN-SC-10 m</b>
<b>Example</b>	<b>SCHA-011</b>	<b>SWITCH</b>	<b>45</b>	<b>PNP</b>	<b>GLAN-SC-10 m</b>