

SCHA-006

Submersible proximity switch



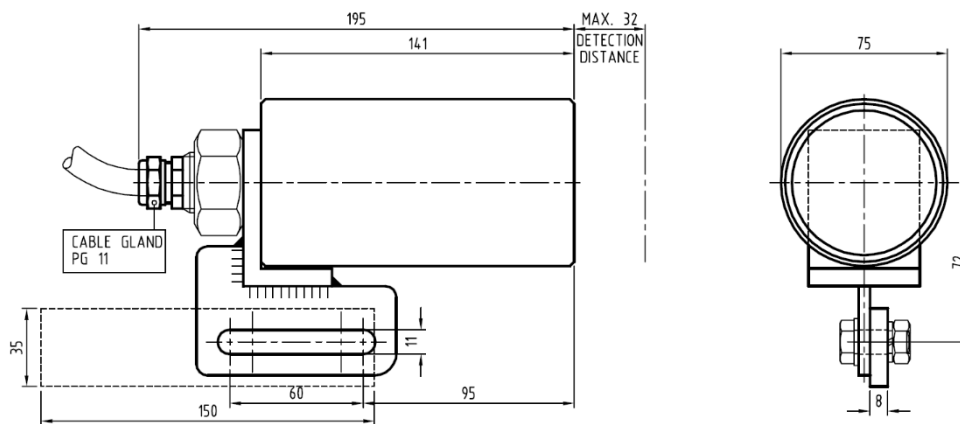
Highlights

- Detection of metal structure based devices, positioning equipment etc.
- Potted in a corrosion resistant PA6 housing.
- Degree of protection IP 67, insulation class 2.
- Vibration-proof and suitable for harsh environment.
- Provided with a slotted bracket and a separate welding strip with fasteners.
- Standard delivery with 3 metre cable (customer specific on request).
- Detection distance 32 mm on steel parts.
- Voltage supply 20..250 V AC or 10..300 VDC

Specifications

Mechanical		Environmental	
- Detection distance ¹	Max. 32 mm	- Temperature range	-20..+70 °C
- Shock	10 g	- Water depth	- max. 50 msw
- Housing	PA6	- Insulation	- Class 2
- Bracket	Stainless Steel 316 L		
- Mounting strip	Steel Fe 360		
- Weight (excl. cable)	1.6 Kg		
- Cable jacket	PUR-CY		
- Cable length	3 m		

¹ The maximum detection distance is valid for steel parts with a reflection area that is equal to or larger than the sensorhead area.



Electrical	
- Supply voltage	20..250 VAC / 10..300 VDC
- Switch current	5-500 mA
- Cable	4x1,5mm ² ,screened

Connection

Use wire 1 + 2 or 3 + 4, not both!

- Wire 1 (Brown)	20-250 VAC / 10..300 VDC
- Wire 2 (White)	NC Contact
- Wire 3 (Yellow)	20-250 VAC / 10..300 VDC
- Wire 4 (Green)	NO Contact
- Screen	

Installation

Note that the proximity switch has NO and NC open collector outputs. Therefore the load current must be restricted to max. 400mA; this can be done by placing a resistor in series with the output 0V supply for the PNP-type, and between the output and supply voltage for the NPN-type.

Both N(ormally) O(pen) and N(ormally) C(losed) contact can be used.