

# SCHA-002-x

Heavy-duty proximity switch (20 mm NAMUR)

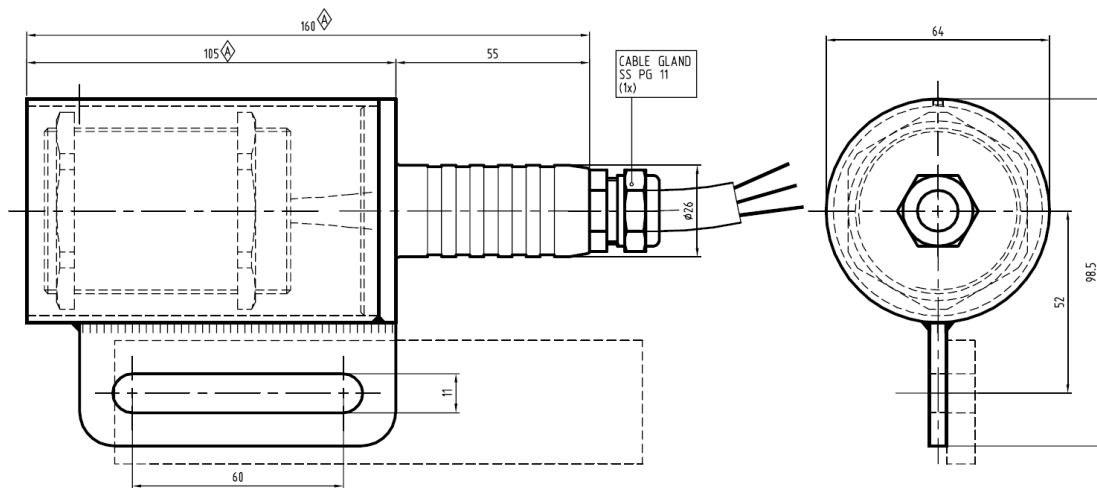


## Highlights

- Heavy-duty submersible inductive proximity switch
- Designed for detection of metal-based objects on dredging vessels and offshore constructions
- Submersible down to 200 msw (only with connector)
- PU potted in a corrosion resistant AISI 316L stainless steel housing
- Fitted with a slotted mounting bracket
- Equipped with **NAMUR output** for detection distance of 20 mm on steel parts
- Fitted with a heavy duty stainless steel cable gland or Subsea connector

## Specifications

Housing			
- Housing material	AISI 316L	- Depth rate	100 msw with cable gland 200msw with connector
- Optional welding strip	Fe 510 D	- Operating temperature	-25...+70°C
- Dimensions	See below	- Dry weight	Approx. 2.1 kg



Sensor	SWITCH-22	
- Output	2-wire NAMUR	
- Supply voltage	8.2 VDC (20 VDC max)	
- Switch current	< 5 mA (60 mA max)	
- No load current	< 5 mA	
- Hysteresis	1...10 %	
- Connections	2	

Connections	SOCK-C-10	Standard wiring	
- Copper conductors	4x1.5 mm <sup>2</sup> screened	- Pin 1 / wire Brown	+ Output
- Insulation	TPE	- Pin 2 / wire White	- Output
- Sheath	PUR	others n/c	
- Diameter	9.7 ± 0.5 mm		
- Standard length	10 m (others on request)		

Note: The maximum detection distance is validated for 1 mm thick steel parts St37 > 75 mm x 75 mm

## Type code definition

Type code	Specification	Unit	Connection	Housing
SCHA-002-x	As per product info sheet (Intrinsically safe 2-wire NAMUR output)	SCHA-002-x		
Connection	Stainless steel cable gland + hose socket, with 10 m scrnd PUR cable, 4x1.5 mm <sup>2</sup>		C10	
	Connector type 1 – BH4M-SS		S1	
	Connector type 2 – MCBH4M-SS		S2	
	Connector type 3 – BCR2004M		S3	
	Connector type 4 – others (on request)		Sx	
Housing	With slotted mounting bracket			W
	Without slotted mounting bracket			WO
Example		SCHA-002-x	S1	W

**Note:**

Standard wiring on 4p bulkhead connector:

- Pin 1 = +Output
- Pin 2 = -Output
- Pin 3 = Not connected
- Pin 4 = Not connected

If other pin layout is required, please specify at order

If other cable length (type C10) is required, please specify at order

**SCHA-002 standard**

The SCHA-002 is also available with standard NO and NC output. Please refer to specific product info sheet which can be found on our website [www.seatec.nl](http://www.seatec.nl)