

SCHA-002

Heavy-duty proximity switch (22mm)

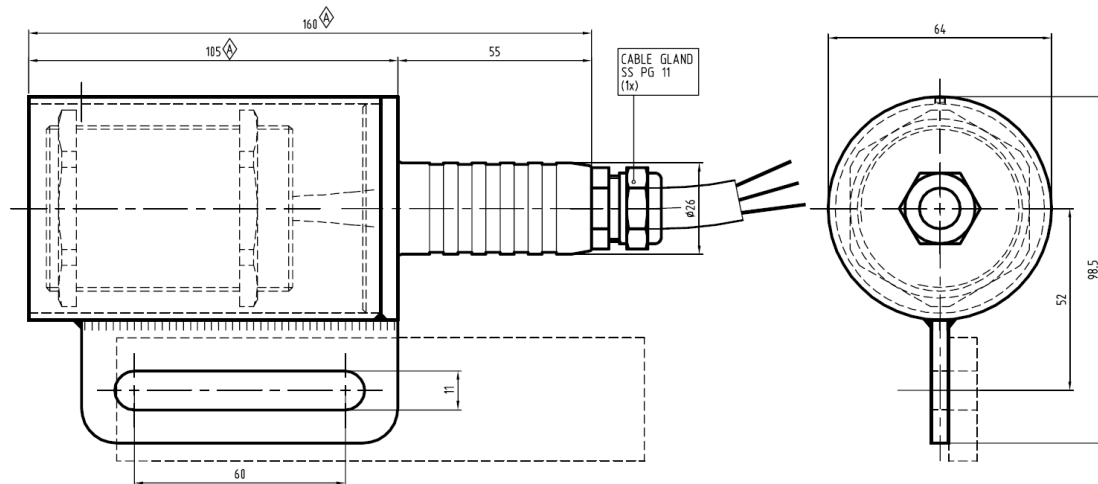


Highlights

- Heavy duty submersible inductive proximity switch.
- Designed for detection of metal based objects on dredging vessels and offshore constructions.
- Submersible down to 200 msw. (only with connector)
- PU potted in a corrosion resistant AISI 316L stainless steel housing.
- Fitted with a slotted mounting bracket.
- Equipped with PNP NO and NC output for a detection distance of 22mm on steel parts.
- Fitted with a heavy duty stainless steel cable gland or Subsea connector

Specifications

Mechanical		Environmental	
- Housing material	AISI 316L	- Depth rate	100 msw with cable gland 200 msw with connector
- Dry weight	Approx.2.1 kg	- Operating temperature	-20...+70 °C
- Optional welding strip	Fe 510 D		
- Dimensions	See below		



Electrical	
<u>Sensor</u>	<u>SWITCH-22</u>
- Output	PNP NO and NC contact
- Supply voltage	10...55 VDC
- Switch current	400 mA max.
- No load current	< 10 mA
- Hysteresis	1...15 %
- Voltage drop	1.5 V @50 mA
- Connections	4

Connection	SOCK-C-10	Standard wiring (others on request)	
- Copper conductors	4 x 1.5 mm ² , screened	- Conductor 1 (Brown)	+10...55 V Supply
- Insulation	TPE	- Conductor 2 (White)	0 V Supply
- Sheath	PUR	- Conductor 3 (Yellow)	NO Contact
- Diameter	9.7 ± 0.5 mm	- Conductor 4 (Green)	NC Contact
- Standard length	10 m (others on request)	- Screen	Not connected

Type code definition

Type code	Specification	Unit	Connection	Housing
SCHA-002	As per product info sheet	SCHA-002		
Connection	Stainless steel cable gland + hose socket, with 10mtr scrnd PUR cable, 4x1.5 mm ²		C10	
	Connector type 1 – BH4M-SS		S1	
	Connector type 2 – MCBH4M-SS		S2	
	Connector type 3 – BCR2004M		S3	
	Connector type 4 – others (on request)		Sx	
Housing	With slotted mounting bracket			W
	Without slotted mounting bracket			WO
Example		SCHA-002	S1	W

Note:

Standard wiring on 4p bulkhead connector:

Pin 1= +10...+55V supply

Pin 2= 0V supply

Pin 3= NO contact

Pin 4= NC contact

If other pinlayout is required please specify at order

If other cable length (type C10) is required please specify at order

SCHA-002 with Namur output

The SCHA-002 is also available with Namur output. This is the SCHA-002-x.

For further info please check specific product info sheet.