

NOSK 001

Compact submersible rotary limit switch

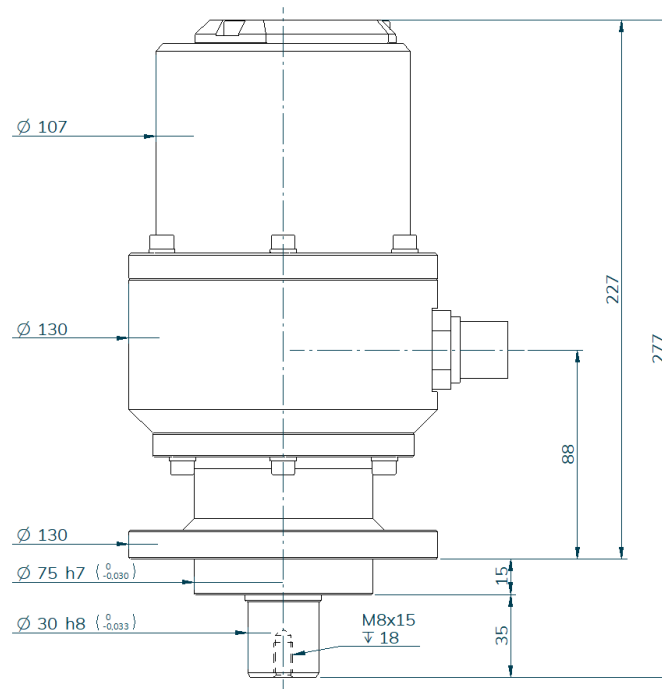


Highlights

- Compact heavy duty submersible rotary limit switch for harsh and abrasive environments
- Designed for an easy installation on (subsea)winches and control systems
- Standard depth rate 100msw (air filled)
- Optionally 3000msw (oil filled)
- Corrosion resistant AISI 316 stainless steel housing and AISI 431 stainless steel shaft
- Provided with threaded mounting hole pattern
- Double lip seal technology to avoid water ingress
- Full range of gear ratios, choice of 1-12 single or 2-24 double-sided switch channels
- Optional position feedback (4...20mA)

Specifications

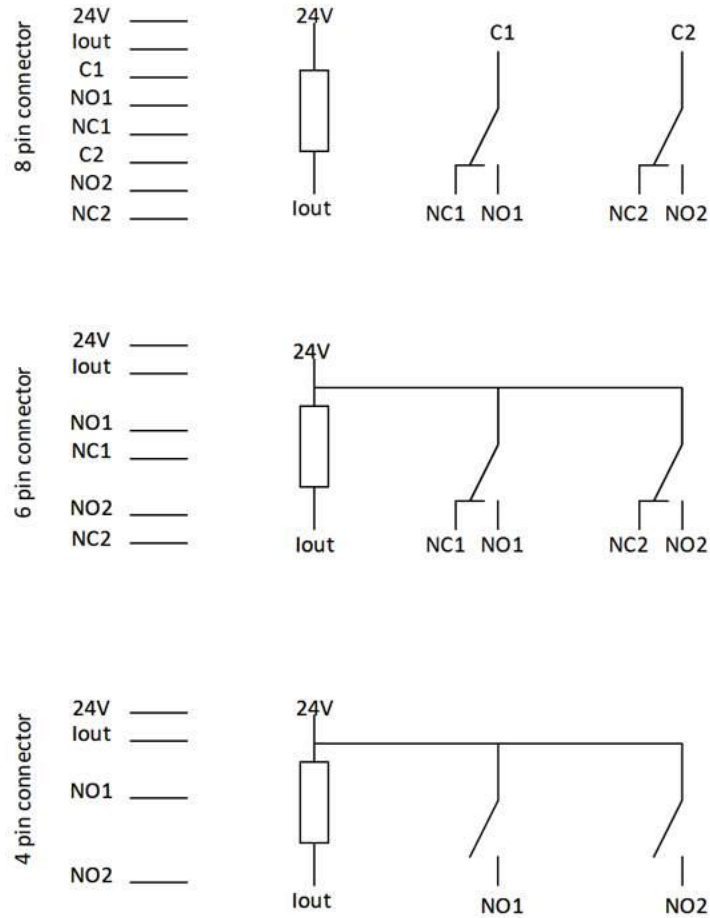
Mechanical		Environmental	
- Housing material	AISI 316	- Operating temperature	-40..+60 °C (in air) -4..+60 °C (in water)
- Shaft material	AISI 431	- Connection	Standard bulkhead (others on request)
- Dry weight	Approx. 12 kg	- Depth rate	100msw (air filled) 3000msw (oil filled)
- Connection	Threaded holes on bolthole circle (8x M8 on pcd 110mm)		
- Dimensions	See below*		



*Other shaft dimensions available on request.

Total length depends on number of switches. (image shows 2 switches version)

Electrical connection options



Rotation direction of optional position feedback

