

INCL-024

Submersible Inclinometer



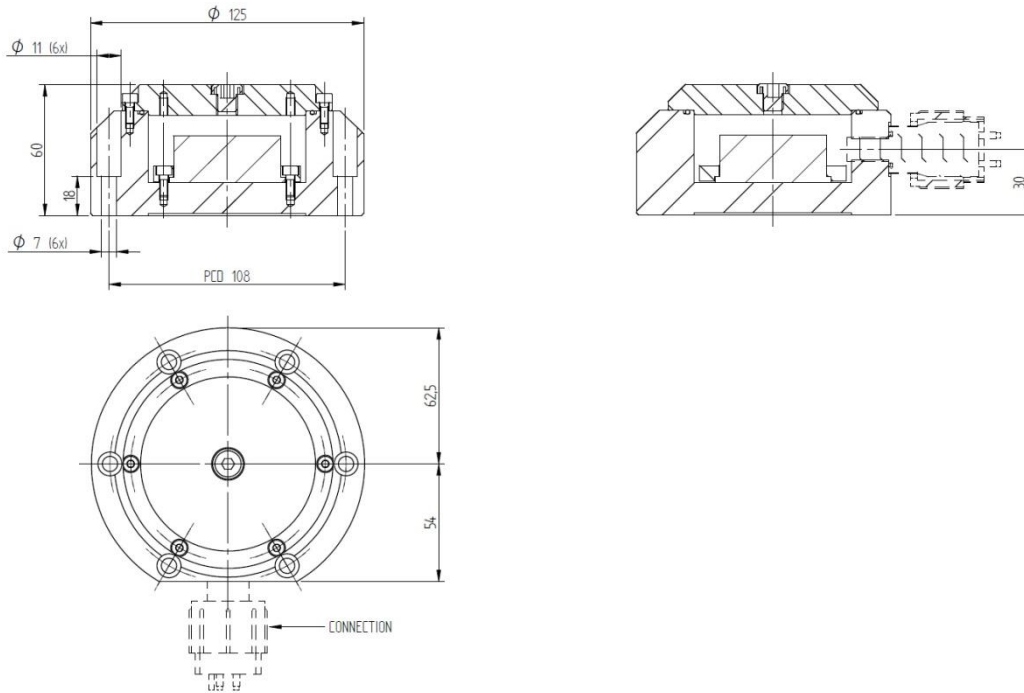
Highlights

- Compact submersible inclinometer for harsh and abrasive environments
- Designed for inclination measurement of subsea structures
- Depth rate 1000msw
- Corrosion resistant AISI 316 L stainless steel housing
- Provided with a mounting hole pattern
- Adjustable 2-axis inclinometer
- Available as ± 10 , ± 20 , ± 40 , ± 60 and ± 80 ° transmitter with 4...20 mA output (special ranges available on request)
- Also available with various communication interfaces (CANopen, Modbus, DeviceNet, RS232)
- Fitted with a BHxMSS stainless steel standard bulkhead connector (no. of pins depends on interface)
- Optionally available with all stainless steel cable gland with integrated hose socket, standard metal shell, standard bulkhead or micro bulkhead connector.

Specifications (1)

The specifications are type specific. Type, angular range and address are specified on the configuration certificate.

Mechanical		Environmental	
- Material	AISI 316L	- Operating temperature	-20..+85 °C
- Dry weight	Approx. 3 kg	- Depth rate bulkhead types	1000 msw
- Dimensions	See below	- Depth rate socket type	100 msw

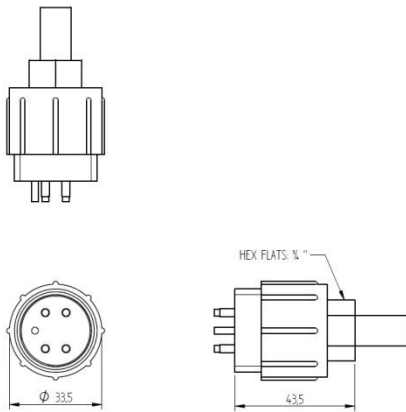


Sensor			
Current output types:	<u>110</u>	<u>140</u>	<u>180</u>
- Number of axes	2	2	2
- Max. angle range	-10..+10 °	-40..+40 °	-80..+80 °
- Supply voltage	10-30 VDC	10-30 VDC	10-30 VDC
- Current consumption	<50 mA	<50 mA	<50 mA
- Output	4-20 mA	4-20 mA	4-20 mA
- Linearity error	<0.004 °	<0.016 °	<0.032 °
- Resolution	0.01 °	0.01 °	0.01 °
- Thermal zero shift	<+/-0.004 °/K	<+/-0.004 °/K	<+/-0.004 °/K
- Absolute Accuracy	<+/-0.1 °	<+/-0.1 °	<+/-0.1 °
- Time constant	125 msec	125 msec	125 msec
- Operating temperature	-40..+85 °C	-40..+85 °C	-40..+85 °C

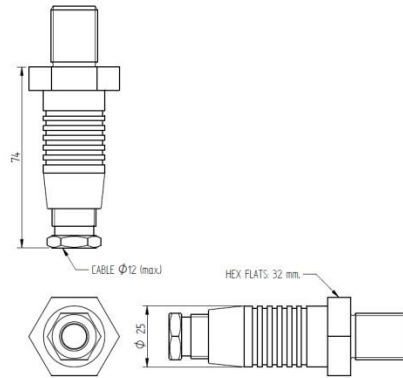
Specifications (2)

Connection	SOCK	Bulkheads
- Waterblock	No	Yes
- Cable outer diameter	< 12 mm	N.A
- Hose inner diameter	25 mm	N.A.
- Dimensions	See below	

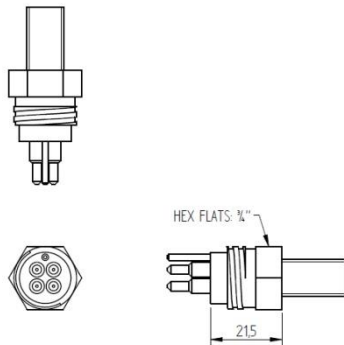
INCL-024-BHxMSS (x ≤ 5)



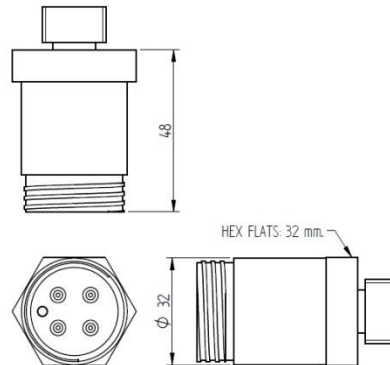
INCL-024-SOCK



INCL-024-MCBHxMSS (x ≤ 8)



INCL-024-BCRxM (x ≤ 4)



Type code definition

Type code	Specification	-	Sens or	-	Range	-	Interface	-	Connection
INCL-024	Submersible inclinometer, compact, IP68 < 120 m								
Sensor	Analog, current output Max. range: $\pm 10^\circ$ Max. range: $\pm 20^\circ$ Max. range: $\pm 40^\circ$ Max. range: $\pm 60^\circ$ Max. range: $\pm 80^\circ$ Set range	-	I10 I20 I40 I60 I80	-	xx...yy°	-	4...20 mA		
Conn.	Standard bulkhead, x (≤ 10) pin (male), stainless steel							-	BHxMSS
	Micro bulkhead, x pin (male), stainless steel							-	MCBHxMSS
	Standard metal shell bulkhead, x (≤ 4) pin (male), stainless steel							-	BCR200xM
	Cable gland + hose socket, stainless steel							-	SOCK
Example	INCL-024	-	I80	-	-30...+90°	-	4...20 mA	-	BH4M