

HOEK-029

Ultra Compact Submersible Angle Transmitter

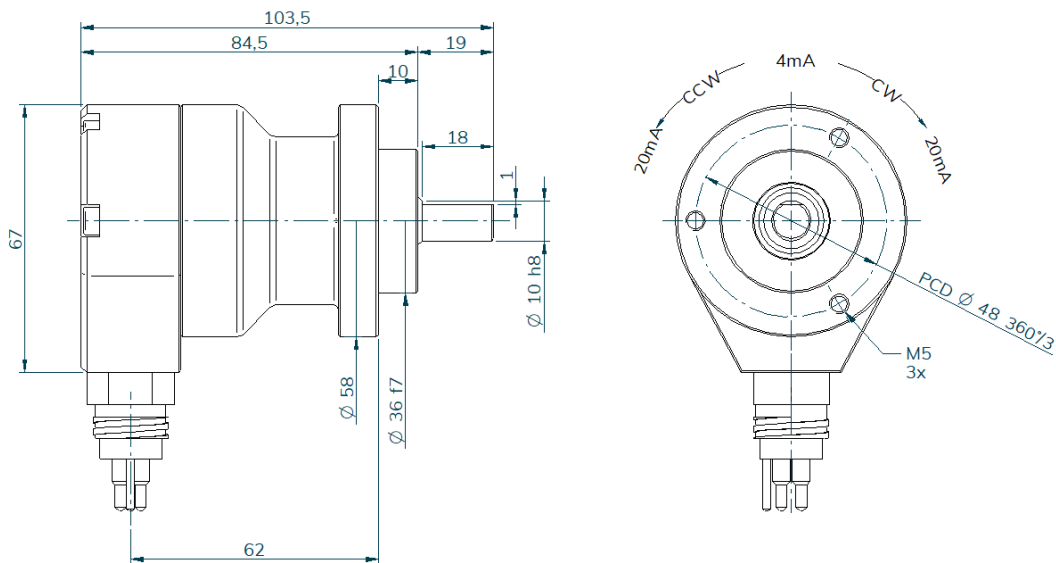


Highlights

- Compact heavy duty submersible angle transmitter for harsh and abrasive environments
- Standard depth rate 100msw (air filled)
- Corrosion resistant AISI 316 stainless steel housing and AISI 431 stainless steel shaft
- Provided with threaded mounting hole pattern
- Available with analog 4...20 mA transmitters or other (digital) encoders
- Standard fitted with a micro bulkhead connector
- Double lip seal technology to avoid water ingress

Specifications

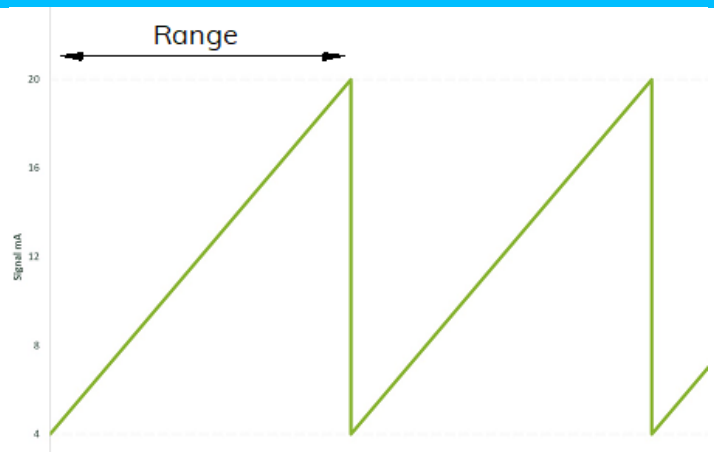
Mechanical		Environmental	
- Housing material	AISI 316	- Operating temperature	-40..+60 °C (in air) -4..+60 °C (in water)
- Shaft material	AISI 431	- Connection	MCBH4MSS
- Dry weight	Approx. 1,3 kg	- Depth rate	100msw (air filled)
- Connection	Threaded holes on bolthole circle		
- Dimensions	See below		



Electrical

Encoder options: 2-wire analog

- Supply	20...30V DC
- Power consumption	50mA plus output current
- Output current	4...20mA
- Nonlinearity	1%
- Range options	360°, 180°, 90°, or 45°
- Rotation direction options	Clockwise(CW) or Counterclockwise(CCW)



Optional other outputs:

Incremental
RS422
Linear voltage
Open Collector
Push-pull
SSI