

HOEK-023

Compact Submersible Angle Transmitter

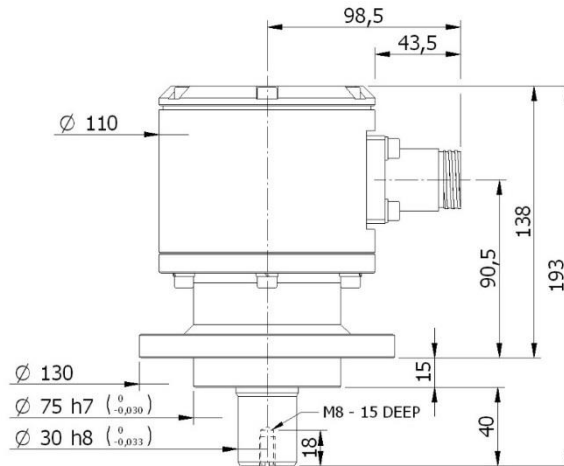


Highlights

- Compact heavy duty submersible angle transmitter for harsh and abrasive environments
- Designed for angle measurement of suction tubes, booms and other (dredging) construction parts
- Standard depth rate 100msw (air filled)
- Optionally 2500msw (oil filled)
- Corrosion resistant AISI 316 stainless steel housing and AISI 431 stainless steel shaft
- Provided with threaded mounting hole pattern
- Available with (programmable) analog 4...20 mA (multi-turn) transmitters or digital absolute encoders for single or multi-turn applications (Profibus DP and CANopen)
- Standard fitted with a metal shell bulkhead connector
- Double lip seal technology to avoid water ingress

Specifications

Mechanical		Environmental	
- Housing material	AISI 316	- Operating temperature	-40..+60 °C (in air) -4..+60 °C (in water)
- Shaft material	AISI 431	- Connection	Standard bulkhead (others on request)
- Dry weight	Approx. 7.8 kg connector version Approx. 8.7 kg penetrator version	- Depth rate	100msw (air filled) 2500msw (oil filled)
- Connection	Threaded holes on bolthole circle (8x M8 on pcd 110mm)		
- Dimensions	See below		



Electrical					
Encoder options:	<u>2-wire analog</u>	<u>3-wire analog Single-turn</u>	<u>3-wire analog Multi-turn</u>	<u>PROFIBUS</u>	<u>CANopen</u>
- Range	0...355 degrees	0...359 degrees	0...4096 turns	0...4096 turns	0...4096 turns
- Supply voltage	18...28 VDC	15...30 VDC	15...30 VDC	15...30 VDC	15...30 VDC
- Power consumption	< 1 W	< 1 W	< 1.6 W	< 1.6 W	< 1.6 W
- Output	4-20 mA	4-20 mA	4-20 mA	Digital	Digital
- Data rate	-	-	-	9,6 kBit/s up to 12 Mbit/s	50 kBit/s up to 1 Mbit/s
- Resolution	0.002 %	16 bits	16 bits	4096 turns	4096 turns
- Accuracy	± 0.35° ⁽¹⁾	± 0.08° ⁽²⁾	± 0.08° ⁽³⁾	16 bits per turn	16 bits per turn
- User programmable	n/a	- minimum angle - maximum angle	- minimum turns - maximum turns	multiple parameters	multiple parameters