

HOEK-022

Compact Submersible Angle Transmitter

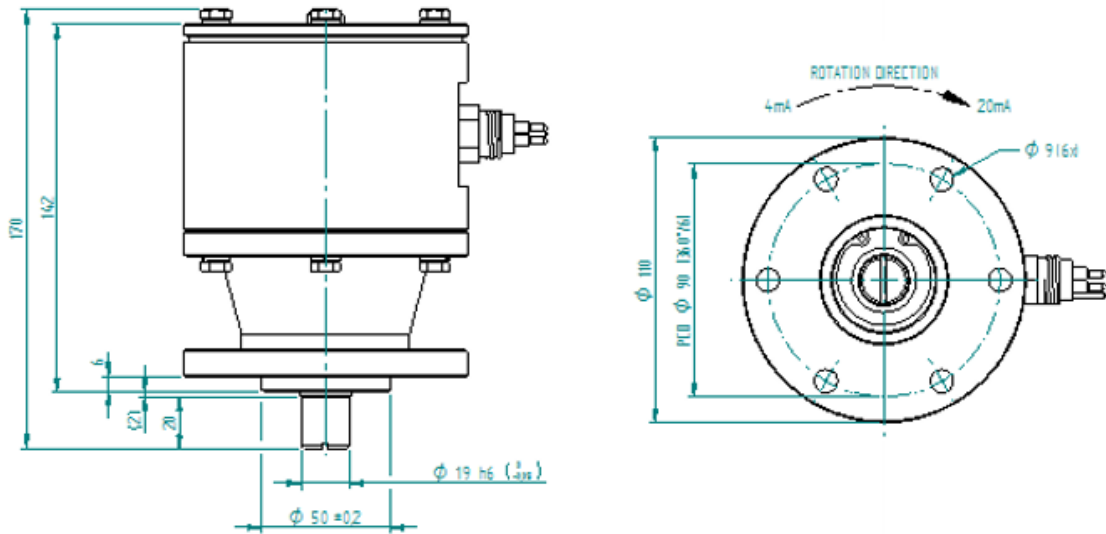


Highlights

- Compact heavy duty submersible angle transmitter for harsh and abrasive environments
- Designed for angle measurement of suction tubes, booms and other (dredging) construction parts
- Standard depth rate 150 msw
- Corrosion resistant AISI 316 stainless steel housing and AISI 431 stainless steel shaft
- Provided with threaded mounting hole pattern
- Available with (programmable) analog 4...20 mA (multiturn) transmitters or
- digital absolute encoders for single or multi-turn applications (Profibus DP and CANopen)
- Standard fitted with a metal shell bulkhead connector
- Double lipseal technology to avoid water ingress

Specifications

Mechanical		Environmental	
- Housing material	AISI 316	- Operating temperature	-40..+60 °C (in air) -4..+60 °C (in water)
- Shaft material	AISI 431	- Connection	Standard bulkhead (others on request)
- Dry weight	Approx. 5.8 kg	- Depth rate	150 msw
- Dimensions	See below		



Electrical				
Encoder options:	Analog Single-turn	Analog Multi-turn	PROFIBUS	CANopen
- Range	0...360 degrees	0...4096 turns	0...4096 turns	0...4096 turns
- Supply voltage	15...30 VDC	15...30 VDC	15...30 VDC	15...30 VDC
- Power consumption	< 1 W	< 1.6 W	< 1.6 W	< 1.6 W
- Output	4-20 mA	4-20 mA	Digital	Digital
- Data rate			9,6 kBit/s up to 12 Mbit/s	50 kBit/s up to 1 Mbit/s
- Resolution	16 bits total	16 bits total	4096 turns 16 bits per turn	4096 turns 16 bits per turn
- Accuracy	± 0.08° ¹	± 0.08° ²	± 0.08°	± 0.08°
- User programmable	- minimum angle - maximum angle	- minimum turns - maximum turns	multiple parameters	multiple parameters

¹ Accuracy for 360 degrees, actual accuracy depends on programmed angle range

² Accuracy for 1 turn, actual accuracy depends on programmed number of turns