

DRUK-009

Submersible Pressure Transmitter

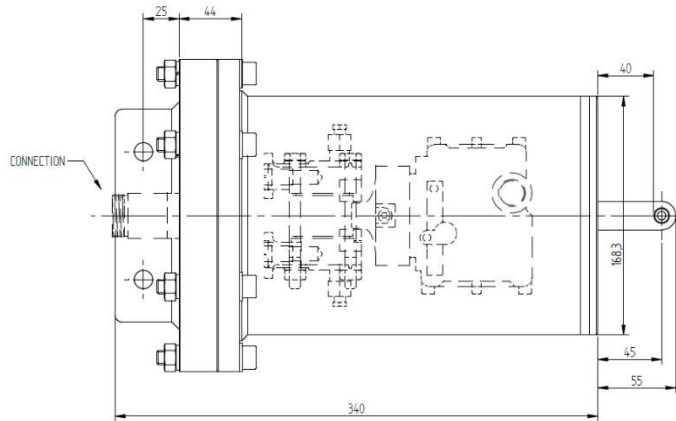
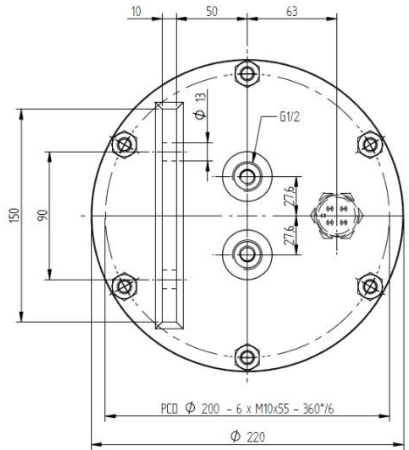


Highlights

- Submersible pressure transmitter for harsh and abrasive environments in the dredging industry.
- Designed for pressure measurement of dredging pumps and suction heads.
- Depth rate 120 msw.
- Corrosion resistant AISI 316L stainless steel pressure housing.
- Supplied with a steel 52.3 welding plate/ mounting bracket.
- Available with analogue 4...20 mA transmitters, including BRAIN or HART communication, for differential ranges from -50 up to +140 bar or absolute ranges from 0 up to 160 bar.
- Fitted with a heavy duty stainless steel cable gland with integrated penetrator and hose socket.
- Optionally available with all stainless steel standard metal shell, standard bulkhead or micro bulkhead connector.

Specifications (1)

Mechanical		Environmental	
- Housing material	AISI 316L	- Depth rate	120 msw
- Dimensions	See below	- Dry weight	Approx. 21 kg

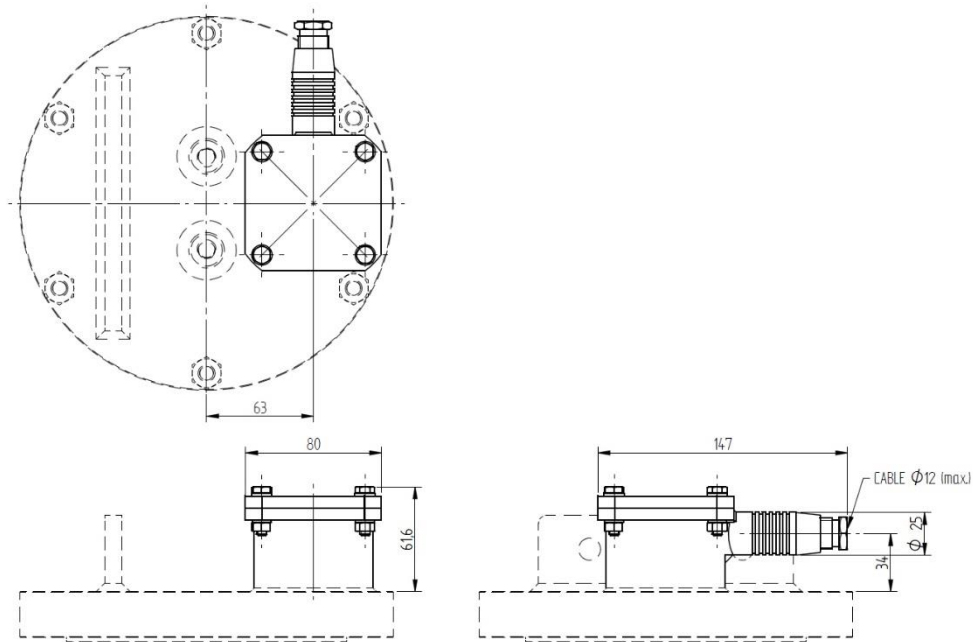


Electrical		
<u>Sensor</u>	<u>D(ifferential)</u>	<u>A(bsolute)</u>
- Measurement range	max.: -0.1...+0.1 bar, min. 0.001 bar or max.: -1...+1 bar, min. 0.005 bar or max.: -5...+5 bar, min. 0.025 bar or max.: -50...+140 bar, min. 0.7 bar	max.: 0...0.1 bar, min. 0.005 bar or max.: 0...1.3 bar, min. 0.013 bar or max.: 0...35 bar, min. 0.175 bar or max.: 0...160 bar, min. 0.8 bar
- Accuracy	± 0.04 %	± 0.04 %
- Output	4-20 mA + BRAIN or HART comm.	4-20 mA + BRAIN or HART comm.
- Supply voltage	16.6...42 VDC	16.6...42 VDC
- Load	250...600 Ω	250...600 Ω
- Power consumption	< 21.6 mA	< 21.6 mA
- Programmable	- span - zero - high/low pressure side	- span - zero - high/low pressure side
- Connections	2	2

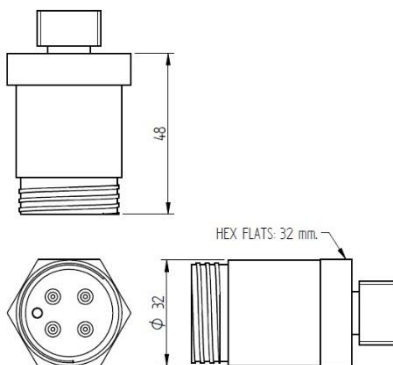
Specifications (2)

Connection	PENE-9	Bulkheads
- Waterblock	Yes	Yes
- Cable outer diameter	< 12 mm	N.A
- Hose inner diameter	25 mm	N.A.
- Operating temp.	-30...+85 °C	-4...+60 °C
- Dimensions	See below	

PENE-9



BCR200xM (x ≤ 4)



Type code definition

Type code	Specification	Sensor	Range	Interface	Connection
DRUK-009	Submersible pressure transmitter, heavy duty, IP68 < 120 m				
Sensor	Differential, current output + BRAIN protocol comm. current output + HART protocol comm. Max. range: -0.1...+0.1 bar, min. 0.001 bar Max. range: -1...+1 bar, min. 0.005 bar Max. range: -5...+5 bar, min. 0.025 bar Max. range: -50...+140 bar, min. 0.7 bar Set range: Electrical connections: 2	D 0.1 D 1 D 5 D 140	x...y bar	B 4...20 mA H 4...20 mA	
	Absolute, current output + BRAIN protocol comm. current output + HART protocol comm. Max. range: 0...0.1 bar, min. 0.005 bar Max. range: 0...1.3 bar, min. 0.013 bar Max. range: 0...35 bar, min. 0.175 bar Max. range: 0...160 bar, min. 0.8 bar Set range: Electrical connections: 2	A 0.1 A 1.3 A 35 A 160	x...y bar	B 4...20 mA H 4...20 mA	
Conn.	Standard bulkhead, x pin (male), stainless steel				BHxMSS
	Micro bulkhead, x pin (male), stainless steel				MCBHxMSS
	Standard metal shell bulkhead, x pin (male), stainless steel				BCR200xM
	Penetrator + gland + socket, x (9) wire, stainless steel				PENE-9
Example	DRUK-009	D 5	0...-5 bar	H 4...20 mA	PENE-9