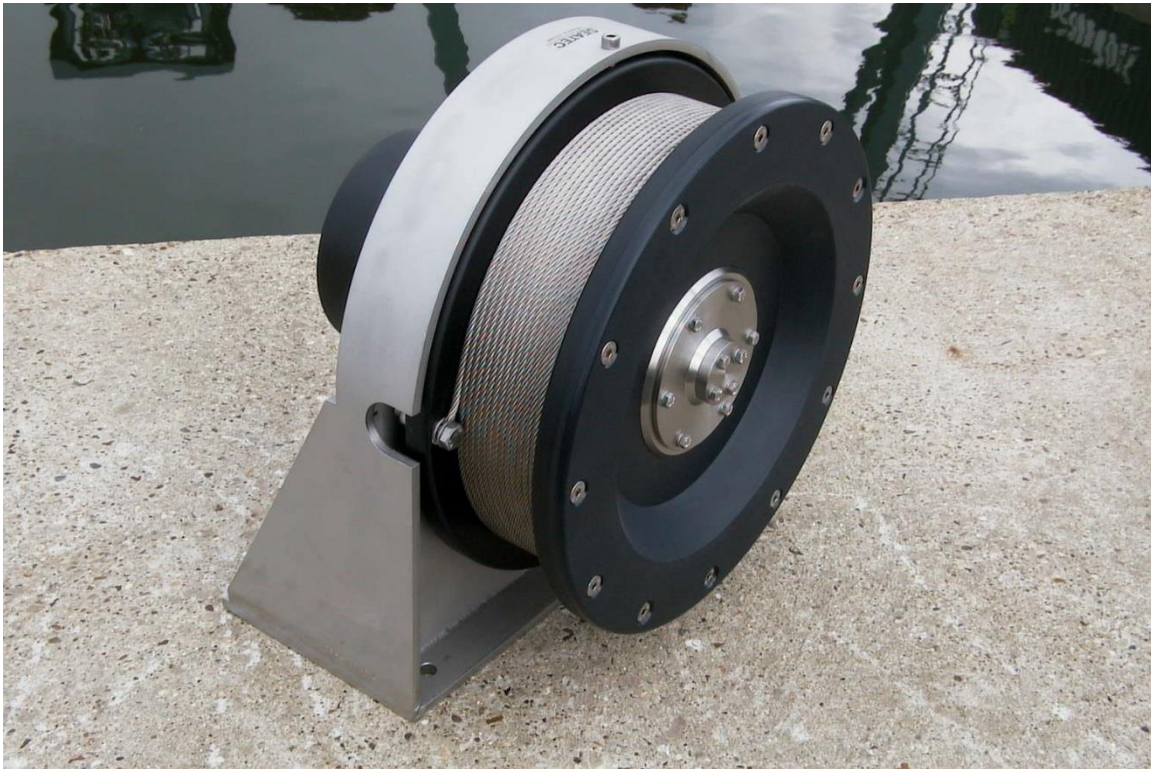


DRAA-001

Spring Loaded Veered Length Transmitter

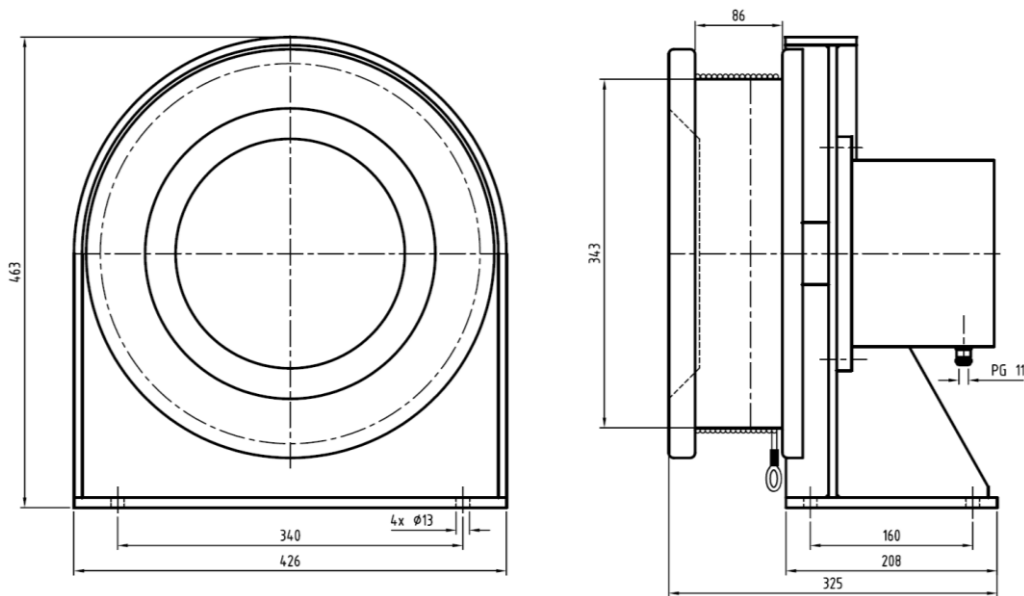


Highlights

- Designed for position measurement of pile carriers, trolleys or other construction parts.
- Designed for use in harsh environments.
- Spring return synthetic wire drum on a stainless steel 316 frame.
- Easy mounting by means of 4 bolts M12 to the sub structure.
- Transmitter mounted in a watertight synthetic housing.
- The housing is provided with a cable gland.
- Special cable termination is possible on request.
- Measurement range 0....10 m.
- Analogue 4....20 mA output.
- Capacity 15 m stainless steel wire Ø 5 mm.

Specifications

Mechanical		Environmental	
- Drum capacity	15 m (Ø5 mm)	- Temperature range	-10..+70 °C
- Hysteresis	+/- 2.1 mm	- Shock	50 g
- Frame + wire	AISI 316L	- Vibration	5..100 Hz max. 10 g
- Drum + housing	PA6G		
- Gland	PG11		
- Protection	IP66		
- Weight	58 kg		



Electrical	
- Measurement range ¹	0..10 m (3550 °)
- Supply voltage	18..28 VDC
- Max. load	600 Ω
- Current consumption	31 mA max.
- Output	4-20 mA
- Linearity error ²	+/-0.1 %
- Resolution / 3550 °	0.002 %
- Thermal sensitivity shift	0.01 %/K max.

¹ Maximum range, smaller range on client specification.

² At constant temperature. Valid for measurement ranges up to 3450°.

Order information

Please specify measurement range. The product will be supplied including a Configuration Certificate.