

COMP-010

Submersible Compensator 0.7L

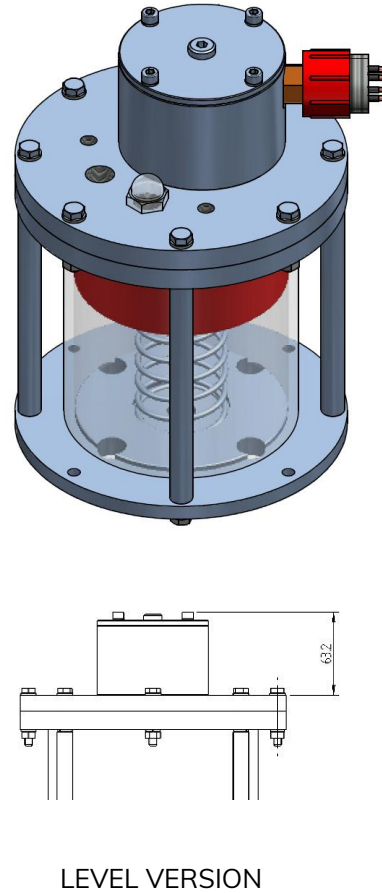
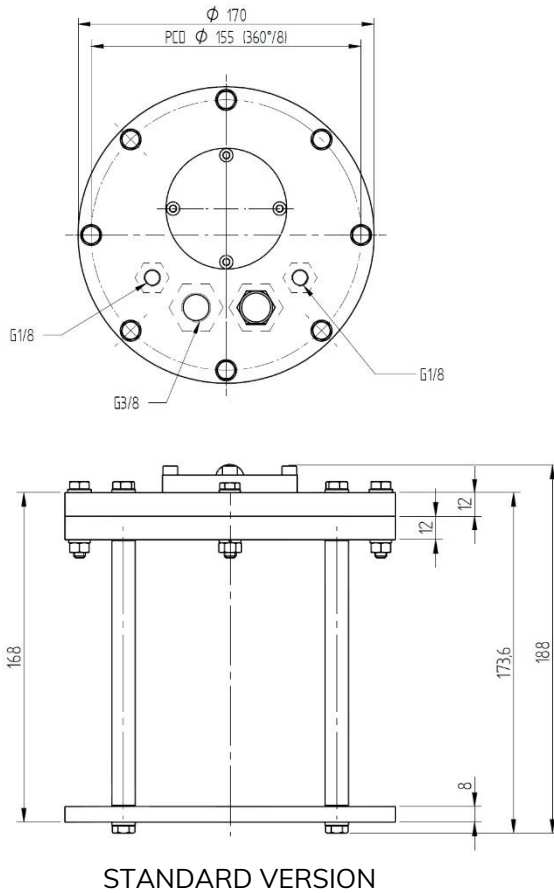


Highlights

- Designed for pressure compensation on hydraulic submersible systems.
- 3000 msw water depth rating.
- Corrosion resistant (AISI 316 L stainless steel and synthetics).
- Optionally provided with an analogue level indicator.
- 4-pole male (standard or micro) circular underwater connector at level indicator version.
- Oil indicator on top flange.
- Hydraulic connection on a hose socket (1-off standard, 2-off on request).
- Compensation volume 0.7 litre.

Specifications

Mechanical		Environmental	
- Dry weight empty	7 kg	- Temperature range	0...+50 °C
- Compensation volume	0,7 l	- Rated water depth	3000 msw
- Pressure completely full	+/- 0,2 bar*		
- Pressure when nearly empty	+/- 0,1 bar*		



*Optional: +/-0,15bar - +/-0,3bar

Electrical (Optional level sensor)	LEVEL version
- Supply voltage	12...27Vdc
- Output	4...20mA
- Accuracy	+/- 10% FS