

SEATEC SUBSEA SYSTEMS BV

Industrieweg 29, 4301 RS Zierikzee
P.O. Box 39, 4300 AA Zierikzee
The Netherlands

Phone: +31 (0)111 456 100

E-mail: info@seatec.nl

www.seatec.nl

DRUK-019

Submersible Pressure Transmitter

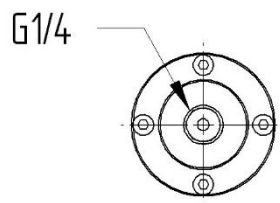
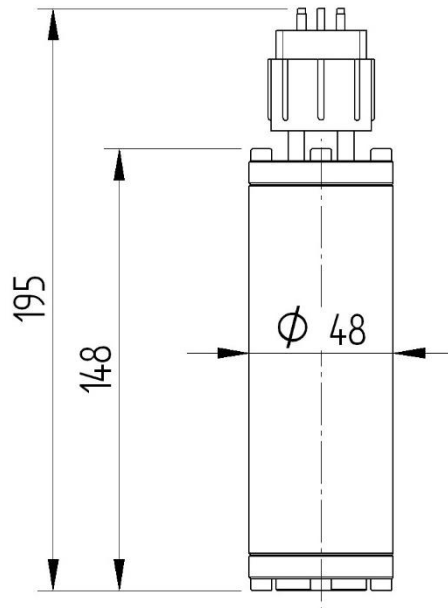


Highlights

- Submersible pressure transmitter for harsh and abrasive environments in the dredging industry.
- Designed for pressure measurement of dredging pumps and suction heads.
- Depth rate 120 msw.
- Corrosion resistant AISI 316L stainless steel pressure housing.
- Available with various analogue 4...20 mA transmitters.
- Various other connectors available as well as cable gland.

Specifications

Mechanical		Environmental	
- Housing material	AISI 316L	- Depth rate	120 msw
- Dry weight	Approx. 1,6 kg		
- Dimensions	See below		



Electrical			
Sensor	Absolute sensor fitted	Pin	Signal
- Measurement range	0-10bar (typical)	1	V+ Sensor
- Accuracy	≤0,1% FS	2	n.c.
- Output	4...20mA	3	4...20mA out (Pout) sensor
- Supply voltage	9-30V	4	n.c.
- Temperature	0...60°C		