

HOEK-022 COMPACT SUBMERSIBLE ANGLE TRANSMITTER



Product highlights

- Compact heavy duty submersible angle transmitter for harsh and abrasive environments.
- Designed for angle measurement of suction tubes, booms and other (dredging) construction parts.
- Depth rate 150 msw.
- Corrosion resistant AISI 316 stainless steel housing and AISI 431 stainless steel shaft.
- Provided with mounting hole pattern.
- Available with (programmable) analog 4...20 mA (multiturn) transmitters
- Digital absolute encoders for single or multiturn applications (SSI, Profibus and Can Bus)
- Standard fitted with a bulkhead connector
- Double lipseal technology to avoid water ingress

Information contained in this document is subject to change without prior notice

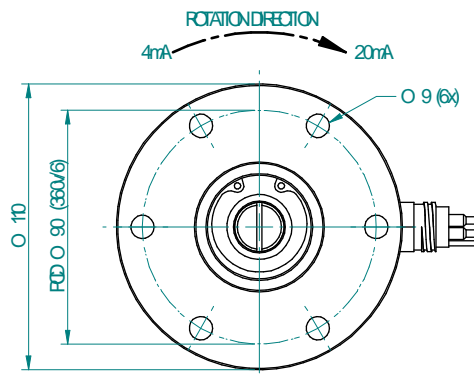
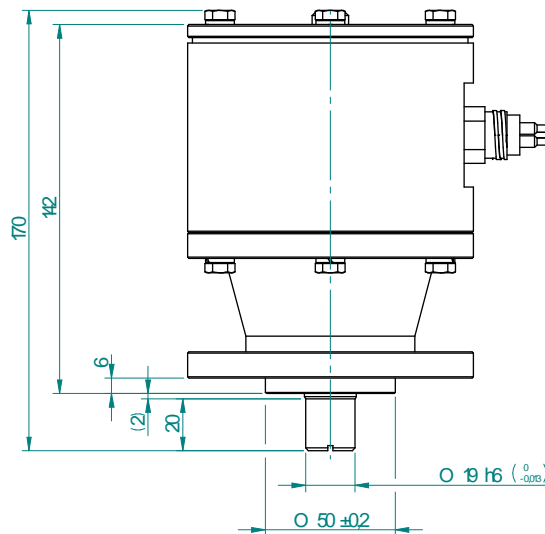
PRODUCT INFORMATION



Specifications

Housing

- Housing material	AISI 316	- Operating temperature	-10..+60 °C
- Shaft material	AISI 431	- Depth rate	150 msw
- Dry weight	Approx. 5.8 kg	- Connection	Standard bulkhead (others on request)
- Dimensions	See below		



Optional sensors:	ANALOG 12 bit	PROFIBUS	CANopen DS 406	SSI
- Measurement range	0...4096 rev MT	0...4096 rev MT	0...4096 rev MT	0...4096 rev MT
- Supply voltage	10...30 VDC	10...30 VDC	10...30 VDC	10...30 VDC
- Power consumption	< 1.6 W	< 1.6 W	< 1.6 W	< 1.6 W
- Output	4-20 mA	Binary	Binary	Binary, gray
Data rate		9,6 kBit/s up to 12 Mbit/s	50 kBit/s up to 1 Mbit/s	
- Resolution	12 bit total	12 bit total	12 bit total	12 bit total
- Accuracy	± 0.1°	± 0.1°	± 0.1°	± 0.1°
- User programmable	- set min. angle - set max. angle	Multiple parameters on request	Multiple parameters on request	Multiple parameters on request

Information contained in this document is subject to change without prior notice