

COMP-010 Submersible Compensator 0.5L



Product Highlights

- Designed for pressure compensation on hydraulic submersible systems.
 - No waterdepth rating.
 - Corrosion resistant (AISI 316 L stainless steel and synthetics).
 - Optionallly provided with an analog level sensor or two level switches.
 - 4-pole male standard circular underwater connector at level signalling versions.
 - Oil indicator on top flange.
 - Hydraulic connection on a hose socket (one standard, two on request).
 - Compensation volume 0,5 litre.
 - Other volumes available.
- Special electrical connection on request

Information contained in this document is subject to change without prior notice

Specifications

Mechanical

- Dry weight empty 7 kg
- Compensation volume 0,5 l

Environmental

- Temperature range 0..+50 °C
- Rated waterdepth none

Electrical

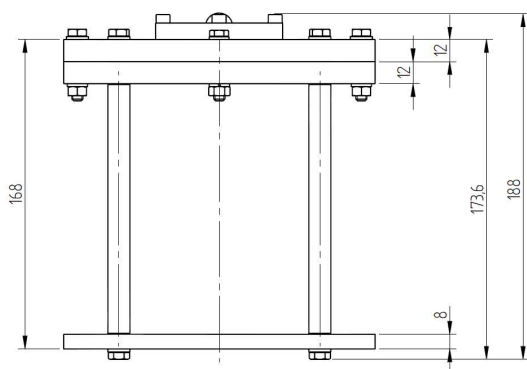
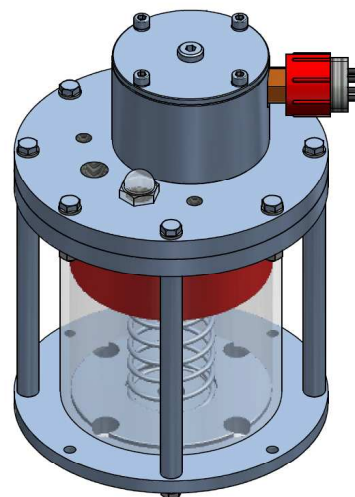
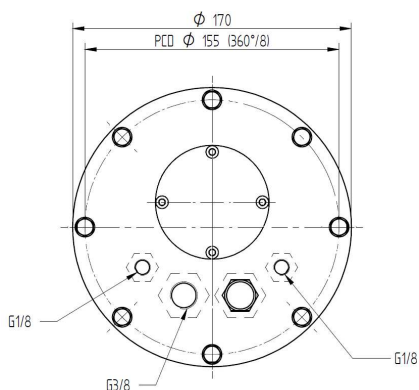
- Supply voltage -
- Output -

SWITCH type

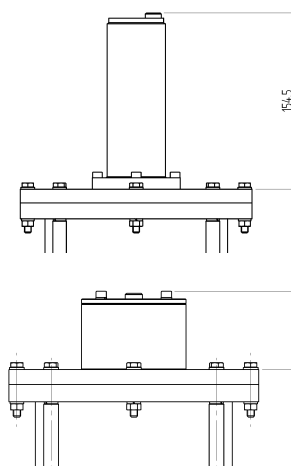
-
- 2 x NC contact

LEVEL type

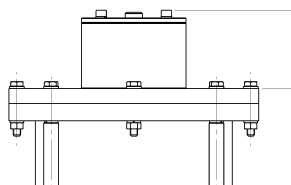
- 12...27 VDC
- 4...20 mA



STANDARD VERSION



SWITCH VERSION



LEVEL VERSION

Order information

| Product type | Configuration |
|-------------------|--|
| COMP-010-STANDARD | Standard compensator excl. level signalling |
| COMP-010-SWITCH | Standard compensator incl. 2 level switches |
| COMP-010-LEVEL | Standard compensator incl. analog level signalling |

When hose sockets or protective pressure valves are required, please specify at order!

Information contained in this document is subject to change without prior notice