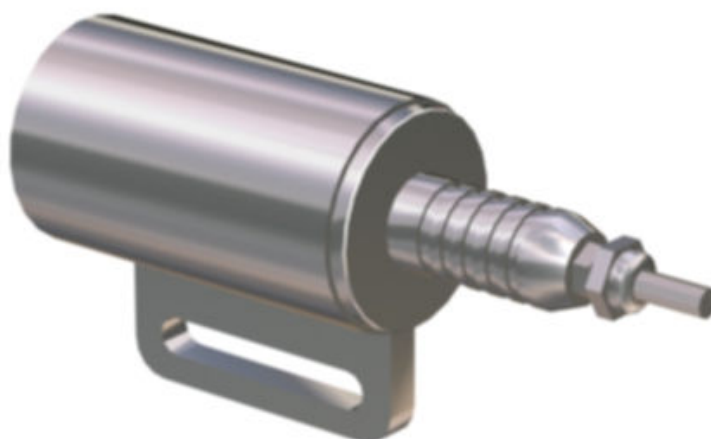


SCHA-002 Submersible Proximity Switch



Product Highlights

- Detection of metal structure based devices, positioning equipment etc.
- Potted in a corrosion resistant stainless steel housing for submersible use.
- Maximum water depth 100 m (deeper on request).
- Vibration-proof and suitable for harsh environment.
- Provided with a slotted bracket and a separate welding strip with fasteners.
- Standard delivery with 1.5 m cable (customer specific on request).
- Cable entry via cable gland and hose socket.
- Detection distance min. 20 mm on steel parts.
- Voltage supply 10-80 Vdc.
- Output PNP and NPN available.

Information contained in this document is subject to change without prior notice

Specifications

Mechanical

- Detection distance ¹	Min. 20 mm
- Shock	10 g
- Housing	Stainless steel 316 L
- Bracket	Stainless steel 316 L
- Mounting strip	Fe 510 D
- Weight (excl. cable)	2.1 kg
- Cable jacket	PUR
- Cable length	10 mtr (standard)

Electrical

- Supply Voltage	10..80 VDC
- Switch current	Max. 400 mA
- Cable	4x1,5mm ² , screened

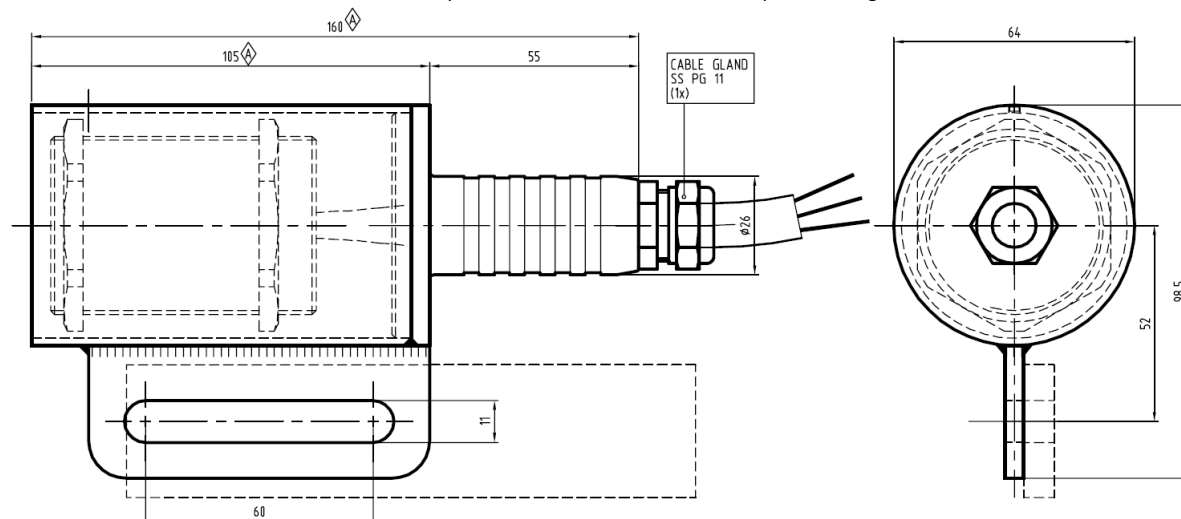
Environmental

- Temperature range	-20..+70 °C
- Waterdepth	max. 100 msw

Connections

- Wire 1	+10..+80 V Supply
- Wire 2	0 V Supply
- Wire 3	NO Contact
- Wire 4	NC Contact
- Screen	Shielding

¹ The minimum detection distance is valid for steel parts with a reflection area that is equal to or larger than the sensorhead area.



Order information

Type nr.	Output
PNP	Pull down load
NPN	Pull up load

Installation

Note that the proximity switch has NO and NC open collector outputs. Therefore the load current must be restricted to max. 400mA. This can be done by placing a resistor in series with the output to 0V supply for the PNP-type, and between output and supply voltage for the NPN-type.

Both N(ormally) O(pen) and N(ormally) C(losed) contact can be used.