

## JUNC-028 Submersible Junctionbox

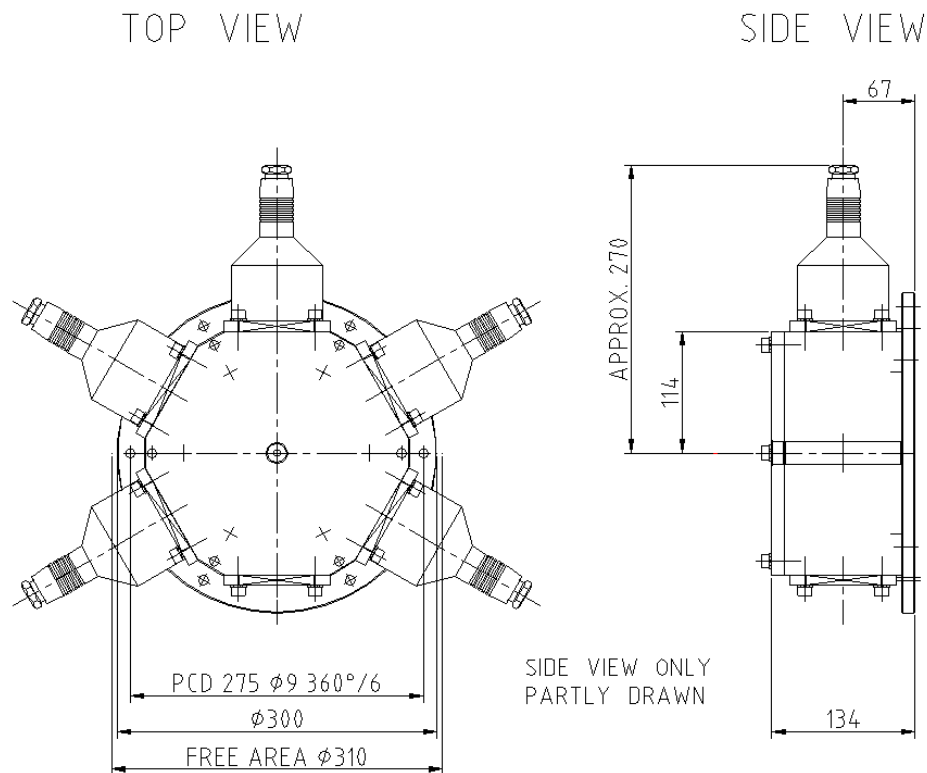


### Product Highlights

- Designed for heavy duty submersible cable connections in harsh environments.
- Water depth up to 120 msw (deeper on request).
- Housing made of corrosion resistant stainless steel (AISI 316 L).
- Provided with 6 mounting holes in the bottom flange.
- To be delivered with max. 6 flanges for connectors or cable glands (adjustable).

## Specifications

### Dimensions



#### *Junction box:*

##### Mechanical

Weight box:	15 kg
Flanges:	6
Weight blind flange:	1 kg
Material:	AISI 316 L

##### Environmental

Water depth rating:	120 msw
Temperature:	-20°...+85° C

#### *Penetrator / gland:*

##### Mechanical

Weight	2.5 kg
Material	AISI 316 L

##### Electrical

Contacts	9
Max. voltage	500 V
Max. current	10 A / contact
Wire size	AWG18
Isolation	Teflon
Coding	Colour

### Order information

Please specify the connectors, glands and cable diameters.