

LARS 20FT SWL 4.5Ton Manriding



Product Highlights

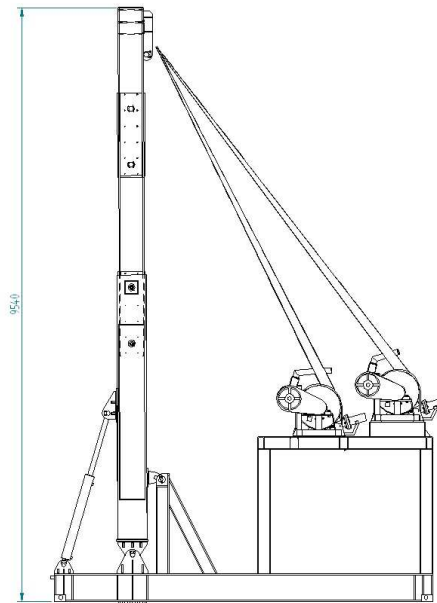
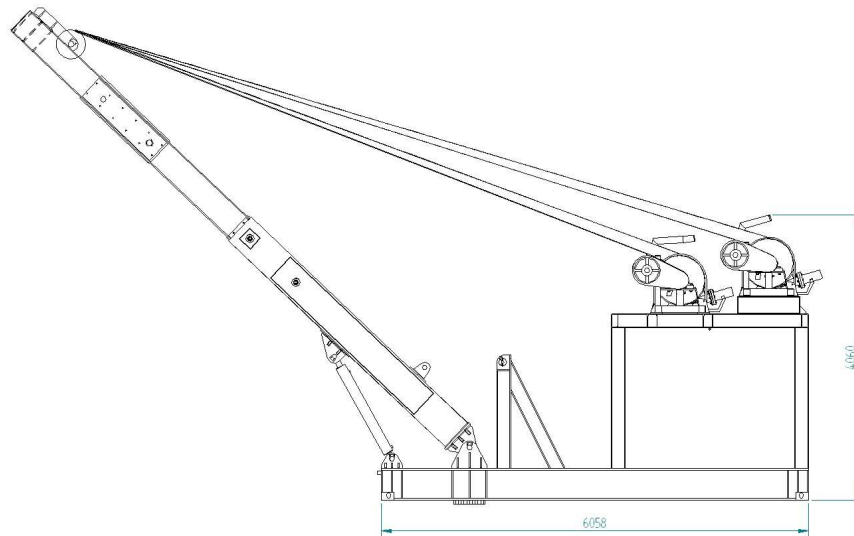
- Designed to handle loads offshore up to Sea State 5.
- Lloyds approved design.
- Manriding.
- Could be delivered including clump weight, or diving bell.
- Winches placed on pedestal to create working or storage area.
- Dimensions based on 20Ft container footprint.
- A-frame boom is extendable in 2 working positions.

Information contained in this document is subject to change without prior notice

Specifications

Mechanical

- Tare weight (excl wires) 20 Ton
- SWL 4.5 Ton
- Dimensions LxWxH (mm) 6058x2438x4060mm
- Boom height 9540mm at maximum extension



ORDER INFORMATION

For further information please contact us.

Information contained in this document is subject to change without prior notice