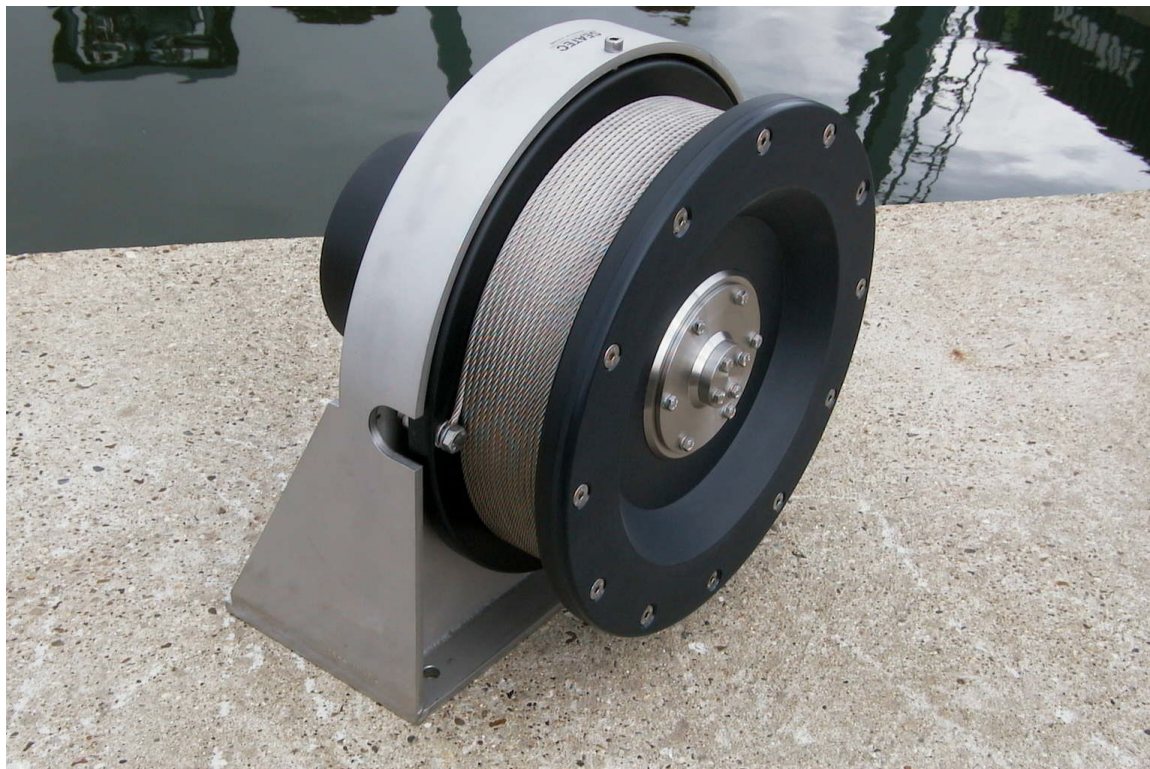


DRAA-001 Spring Loaded Veered Length Transmitter



Product Highlights

- Designed for position measurement of pile carriers, trolleys or other construction parts.
- Designed for use in harsh environments.
- Spring return synthetic wire drum on a stainless steel 316 frame.
- Easy mounting by means of 4 bolts M12 to the sub structure.
- Transmitter mounted in a watertight synthetic housing.
- The housing is provided with a cable gland.
- Special cable termination is possible on request.
- Measurement range 0..10 m.
- Analogue 4..20 mA output.
- Capacity 15 m stainless steel wire \varnothing 5 mm.

Specifications

Electrical

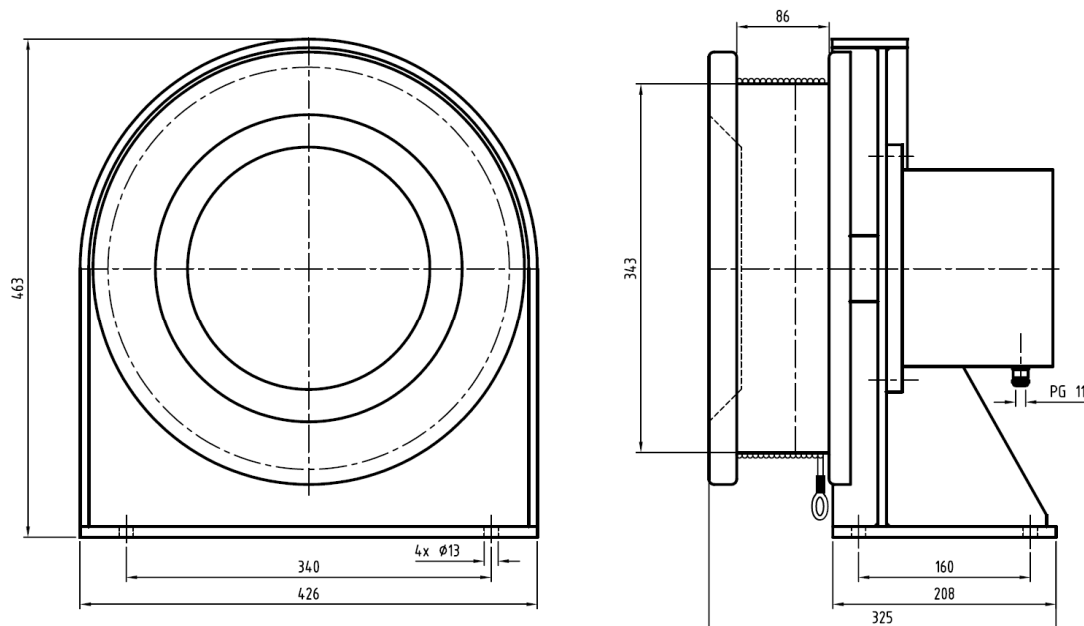
| | |
|----------------------------------|--------------------|
| - Measurement range ¹ | 0..10 m (3550 °) |
| - Supply voltage | 18..28 VDC |
| - Max. load | 600 Ω |
| - Current consumption | 31 mA max. |
| - Output | 4-20 mA |
| - Linearity error ² | +/-0.1 % |
| - Resolution / 3550 ° | 0.002 % |
| - Thermal sensitivity shift | 0.01 %/K max. |

Environmental

| | |
|---------------------|---------------------|
| - Temperature range | -10..+70 °C |
| - Shock | 50 g |
| - Vibration | 5..100 Hz max. 10 g |

Mechanical

| | |
|------------------|----------------|
| - Drum capacity | 15 m (Ø5 mm) |
| - Hysteresis | +/- 2.1 mm |
| - Frame + wire | AISI 316L |
| - Drum + housing | PA6G |
| - Gland | PG11 |
| - Protection | IP66 |
| - Weight | 58 kg |



Order information

Please specify measurement range. The product will be supplied including a Configuration Certificate.

¹ Maximum range, smaller range on client specification.

² At constant temperature. Valid for measurement ranges upto 3450 °.