

SCHA-009 Submersible Inductive Proximity Switch



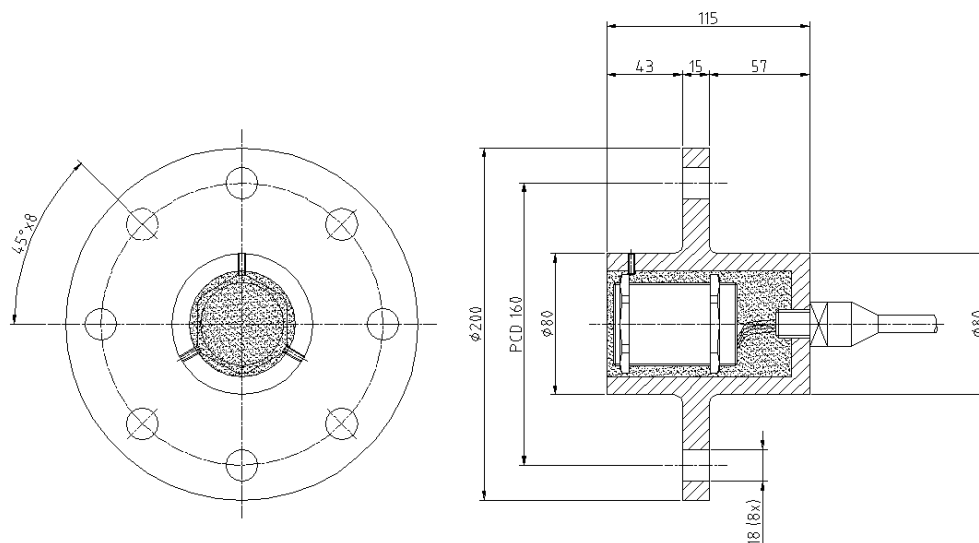
Product Highlights

- Detection of metal structure based devices, positioning equipment etc.
- Potted in a corrosion resistant stainless steel flange for submersible use.
- Water depth up to 100 msw (deeper on request).
- Suitable for harsh environment.
- Standard delivery with 6 m cable (customer specific on request).
- Cable entry via penetrator.
- Detection distance min. 20 mm on steel parts.
- Voltage supply 10 - 55 V DC.
- Output PNP.
- Maintenance friendly.

Information contained in this document is subject to change without prior notice

Specifications

Dimensions



Mechanical

- Weight (excl. cable)	5 kg
- Flange material	AISI 316 L
- Cable jacket	PUR
- Cable length	6 m
- Cable diameter	10 mm

Environmental

- Rated water depth	100 msw
- Temperature range	-20..+70 °C

Electrical

- Supply Voltage	10..55 VDC
- Ripple voltage	Max. 15 %
- Detection distance ¹	Min. 20 mm
- Output	PNP NO and NC
- Load current	Max. 400 mA
- Short circuit protection	Yes, pulsing
- Residual current	< 10 mA
- Voltage drop	1,5 V @ 50 mA
- Switching hysteresis	1..15 %
- Cable	4 x 1,5 mm ² , screened

¹ The minimum detection distance is valid for steel parts with a reflection area that is equal to or larger than the sensorhead area.

Order information

Product nr.
SCHA-009