

## SCHA-004 HEAVY DUTY PROXIMITY SWITCH (45 MM)



### Product highlights

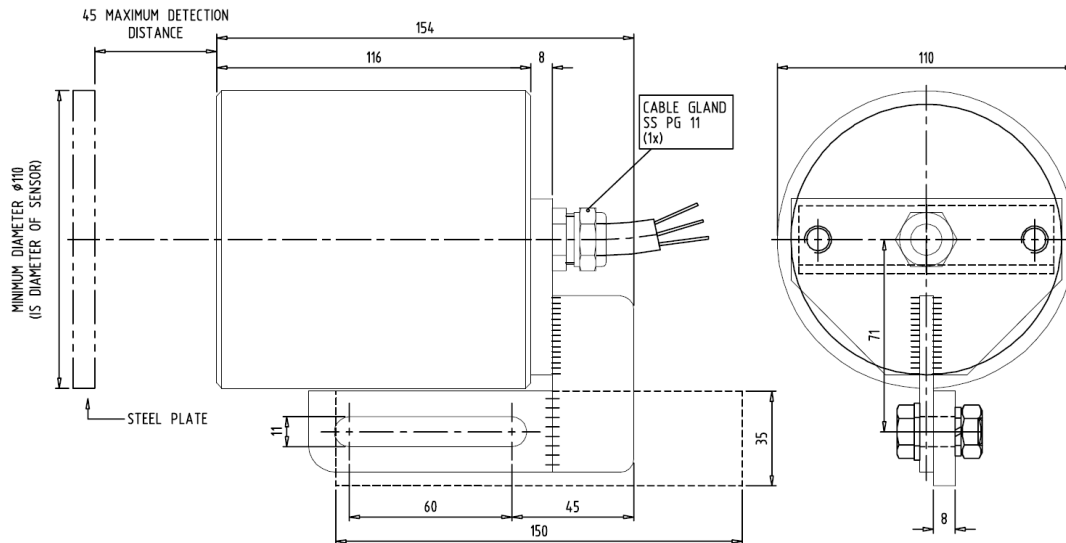
- Heavy duty submersible inductive proximity switch.
- Designed for detection of metal based objects on dredging vessels and offshore constructions.
- Submersible down to 50 msw.
- PU potted in a corrosion resistant PA6 synthetic housing.
- Fitted with a slotted mounting bracket.
- Optionally available mating welding strip with fasteners.
- Equipped with PNP NO and NC output for a detection distance of 45 mm on steel parts.
- Fitted with a stainless steel cable gland.
- Provided with 10 m PUR connection cable.
- Different cable length on request.

*Information contained in this document is subject to change without prior notice*

## Specifications

### Housing

- Housing material	PA6	- Depth rate	50 msw
- Optional welding strip	Fe 510 D	- Operating temperature	-20...+70 °C
- Dimensions	See below	- Dry weight	Approx.2 kg



### Sensor

- Detection distance <sup>1</sup>	SWITCH-45	45 mm max.
- Output		PNP NO and NC contact
- Supply voltage		10...55 VDC
- Switch current		400 mA max.
- No load current		< 10 mA
- Hysteresis		1...15 %
- Voltage drop		1.5 V @50 mA
- Connections		4

### Connection

- Copper conductors	GLAN-SC-10	4 x 1.5 mm <sup>2</sup> , screened	- Conductor 1 (Brown)	+10..+55 V Supply
- Insulation		TPE	- Conductor 2 (White)	NC Contact
- Sheath		PUR	- Conductor 3 (Yellow)	0V Supply
- Diameter		9.7 ± 0.5 mm	- Conductor 4 (Green)	NO Contact
- Standard length		10 m	- Screen	Shielding

<sup>1</sup> The maximum detection distance is validated for 1 mm thick steel parts St37 > 150 x 150 mm.

## Type code definition

Type code	Specification	-	Sensor	-	Range	-	Interface	-	Connection
<b>SCHA-004</b>	Heavy duty submersible inductive proximity switch, IP68 < 50 m								
<b>Sensor</b>	Inductive proximity switch, Max. detection distance 45 mm PNP NO and NC contact, Electrical connections: 4	-	<b>SWITCH</b>	-	<b>45</b>	-	<b>PNP</b>	-	
<b>Connection</b>	Stainless steel cable gland, submersible cable, 4 x 1.5 mm <sup>2</sup> , screened, standard length 10 m							-	<b>GLAN-SC-10 m</b>
<b>Example</b>	<i>SCHA-004</i>	-	<i>SWITCH</i>	-	<i>45</i>	-	<i>PNP</i>	-	<i>GLAN-SC-10 m</i>